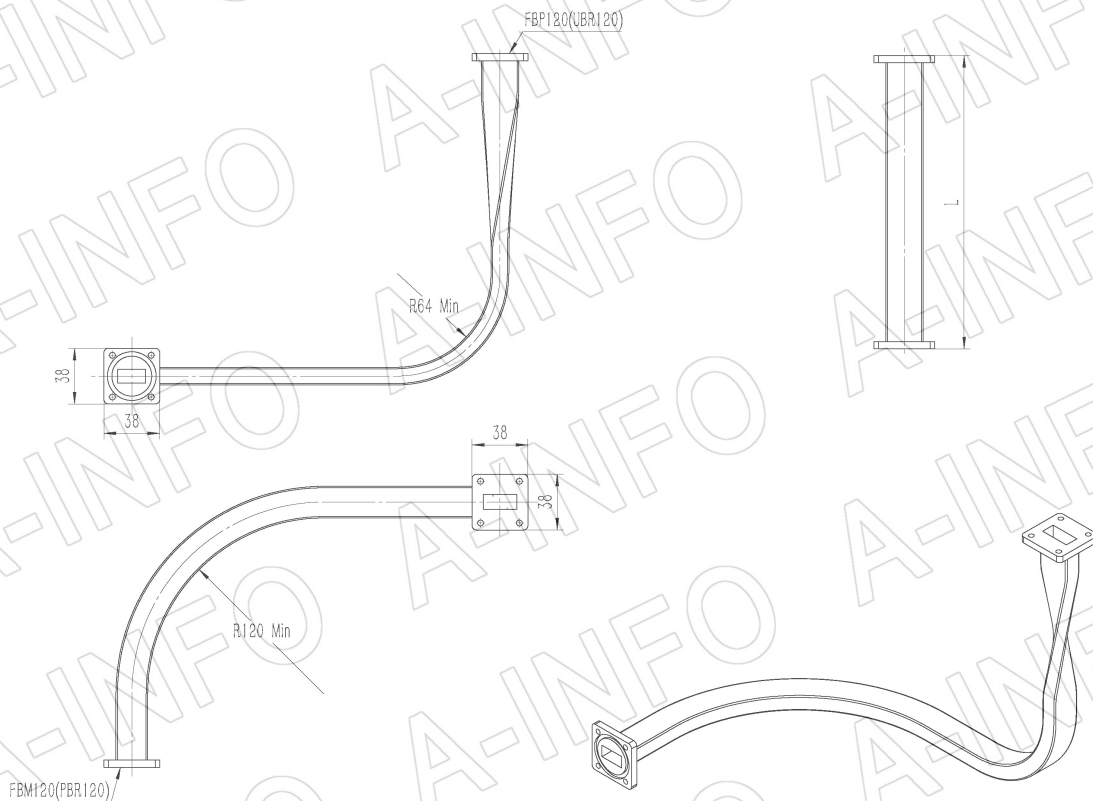


Technical Specification

EIA WR	WR75
Frequency Range(GHz)	10.0 – 15.0
Attenuation(dB/m)	0.65 Max.
VSWR	1.20:1 Max.
Average Power(KW)	0.75
Inner Size(mm)	19.05 x 9.525
Max. Twist(deg/m)	430
Min. E-Bend Radius(mm)	64
Min. H-Bend Radius(mm)	120
Flange	FBP120(UBR120) FBM120(PBR120)
Jacket	Silicone Rubber
Operating Temp.(°C)	-55 ~ +85
Material	Cu
Length(mm)	600
Net Weight(Kg)	0.40 Around



Outline Drawing (Size: mm)



AINFO Inc.

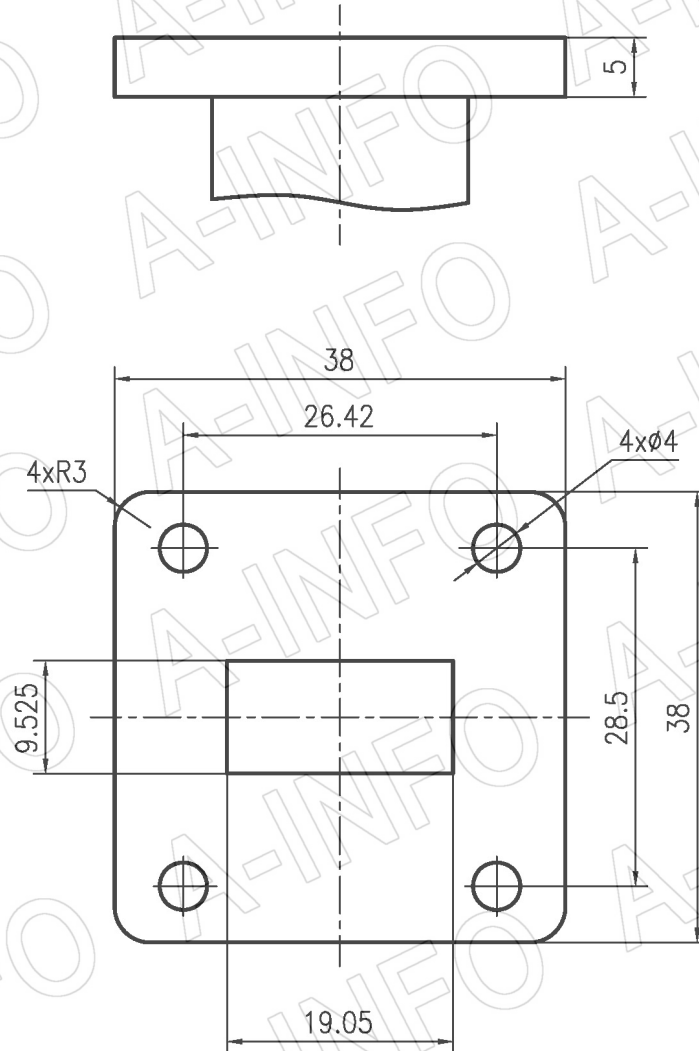
Page 1 of 4

China(Beijing): Tel: (+86) 10-6266-7326,
China(Chengdu): Tel: (+86) 28-8519-2786,
USA: Tel: (+1) 949-639-9688,

(+86) 10-6266-7327 Fax: (+86) 10-6266-7379
(+86) 28-8519-3044 Fax: (+86) 28-8519-3068
(+1) 949-639-9608 Fax: (+1) 949-639-9670

Website: www.ainfoinc.com
Email: sales@ainfoinc.com

Flange Drawing (Size: mm)



FBP120

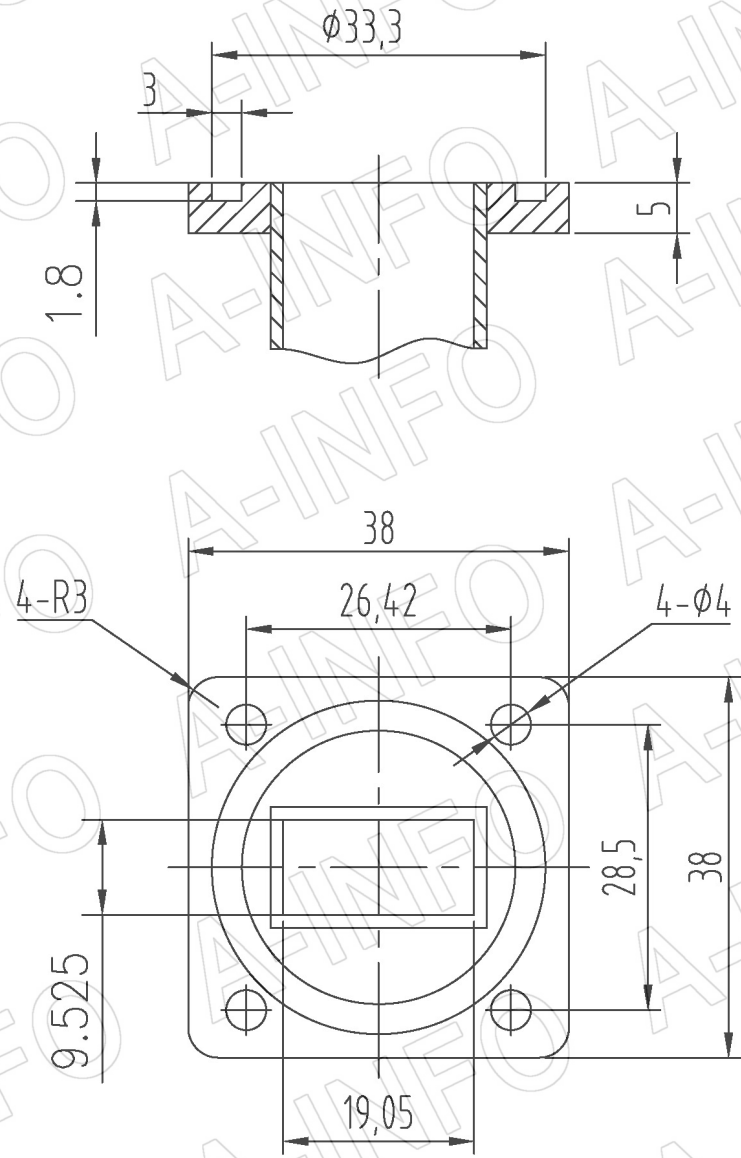
AINFO Inc.

Page 2 of 4

China(Beijing): Tel: (+86) 10-6266-7326,
China(Chengdu): Tel: (+86) 28-8519-2786,
USA: Tel: (+1) 949-639-9688,

(+86) 10-6266-7327 Fax: (+86) 10-6266-7379
(+86) 28-8519-3044 Fax: (+86) 28-8519-3068
(+1) 949-639-9608 Fax: (+1) 949-639-9670

Website: www.ainfoinc.com
Email: sales@ainfoinc.com



FBM120

AINFO Inc.

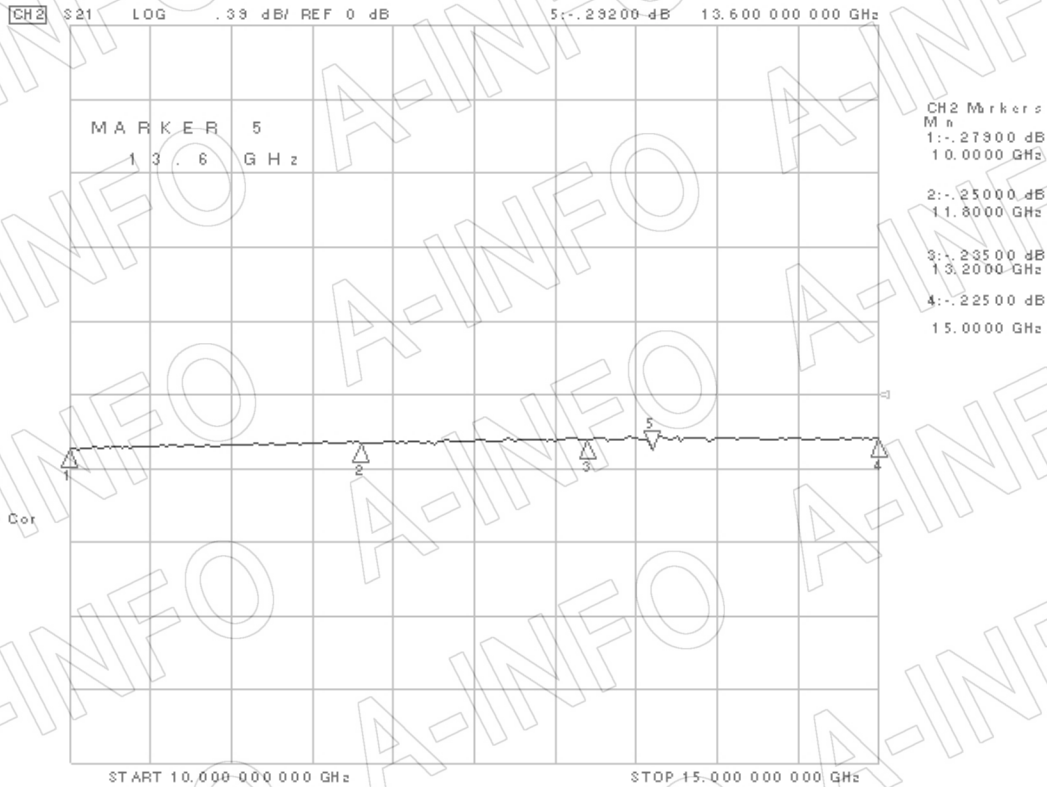
China(Beijing): Tel: (+86) 10-6266-7326,
China(Chengdu): Tel: (+86) 28-8519-2786,
USA: Tel: (+1) 949-639-9688,

(+86) 10-6266-7327 Fax: (+86) 10-6266-7379
(+86) 28-8519-3044 Fax: (+86) 28-8519-3068
(+1) 949-639-9608 Fax: (+1) 949-639-9670

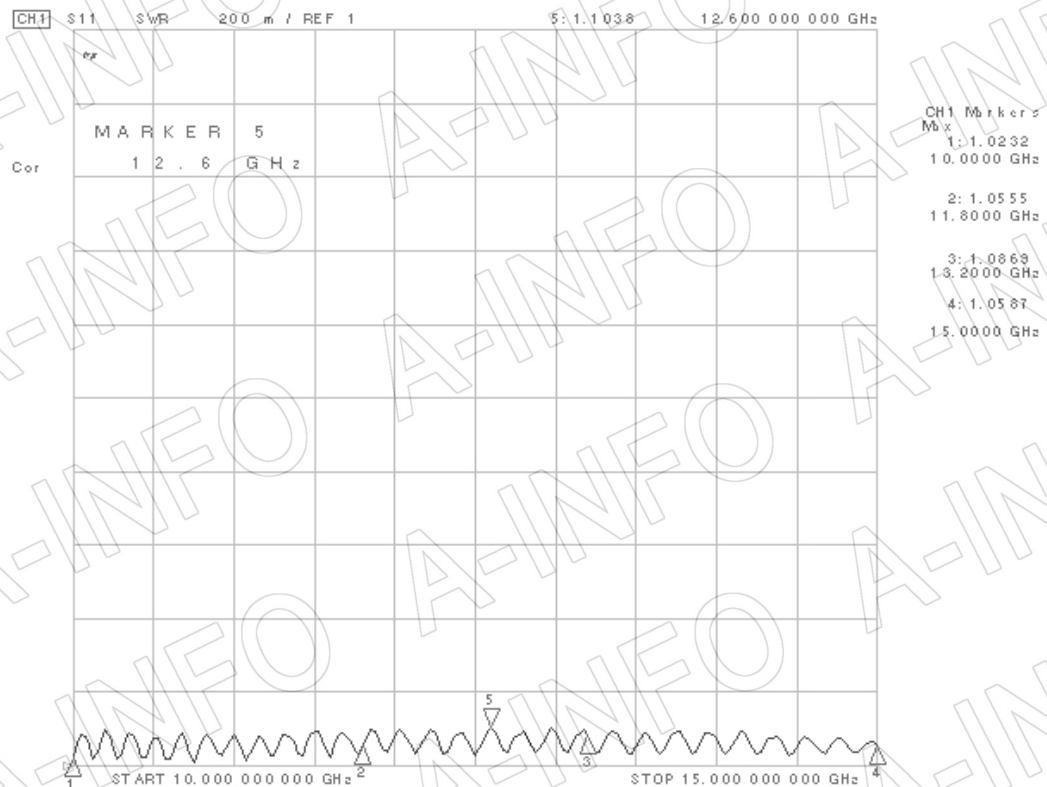
Website: www.ainfoinc.com
Email: sales@ainfoinc.com

Test Results

Attenuation (I.L.: 0.4867dB/m Max.)



VSWR



AINFO Inc.

Page 4 of 4

China(Beijing): Tel: (+86) 10-6266-7326,
China(Chengdu): Tel: (+86) 28-8519-2786,
USA: Tel: (+1) 949-639-9688,

(+86) 10-6266-7327 Fax: (+86) 10-6266-7379
(+86) 28-8519-3044 Fax: (+86) 28-8519-3068
(+1) 949-639-9608 Fax: (+1) 949-639-9670

Website: www.ainfoinc.com
Email: sales@ainfoinc.com